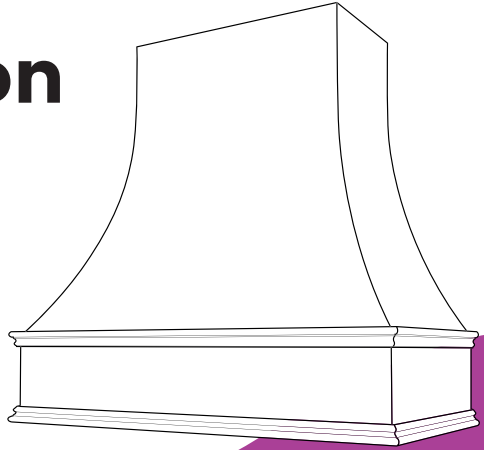


# Hoodsly

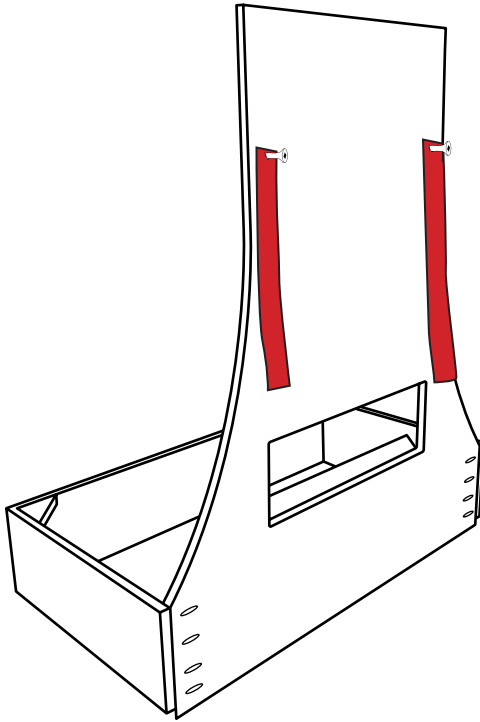
## Installation Manual



Hoodsly reserves the right to change, modify or discontinue policy, services and products at any time. All dimensions are nominal. Document only provided for reference and Hoodsly is not responsible for final installation.



## Before You Begin



Please remove the two packing screws from the back of the hood. These screws are marked with red flagging tape and are only used for shipping purposes.

# Hoodsly Installation Manual

You should choose a licensed electrician, and/or HVAC Contractor, and a cabinet installation professional to assist with the install. Above all, ensure you are meeting all building codes in your area. While this installation is not difficult, you must have electrical, ventilation, and finish carpentry skills. You may need to cut, sand, chisel, and other basic woodworking functions to complete the install. You as the installer are responsible to make sure you leave appropriate clearances above your range hood and below.

Hoodsly.com is not responsible for the install, or for the lack of comprehension of the installation process. The installation instructions below and on the next page are general guidelines. Your installation may be different, may or may not require adhesive, and may or may not require pin nailing.

- Fully inspect all product for any damage or defects before starting installation.
- It's the responsibility of the property owner to acquire any local municipal permits.



## Installation

When installing ventilation, we recommend that you install the ventilation before hanging the apron portion on your wall. Installing the ventilation after the apron portion is on the wall will increase the difficulty of installation.





## Installation

Please follow the instructions for the ventilation you purchased to properly duct and wire the ventilation.

We highly recommend hiring a professional contractor that is licensed and has electrical, cabinet, carpentry and HVAC experience. While this installation is not difficult, electrical, ventilation and finish carpentry skills are required. You may need to cut, sand, alter and perform other woodworking functions to complete the install. Hoodsly.com is not responsible for failure to meet local code requirements, faulty installation methods, or other mistakes that may result from lack of understanding the skills necessary for completing the installation process.

## Need help?

Need a little help with installation? We have you covered! Visit [\*\*hoodsly.com/installation-videos\*\*](https://hoodsly.com/installation-videos) to view our many installation videos, or schedule a video chat with our technicians by visiting [\*\*hoodsly.com/schedule-a-video-chat\*\*](https://hoodsly.com/schedule-a-video-chat). You can also contact our Customer Service via phone or email.

**Phone:** (877) 847-0405

**Email:** [hello@hoodsly.com](mailto:hello@hoodsly.com)



## Recommended Tools & Materials

The tools and materials are a recommended list for the basic installation of the wood range hood. Other tools and materials may be required, such as specialty power tools, sandpaper, and miscellaneous wood working tools.



Brad Nailer



Vent Blower Unit



Level



1 1/4" Brad Nails  
23 Gauge Pin Nails



Tape Measure



Power Screwdriver



### Cabinet Screws

It is highly recommended to use cabinet screws (also known as washer-head or button-head screws). Typically these screws are fabricated with case hardened steel and have high tensile, torque and shear strength designed specifically for wood-to-wood fastening, especially for heavy, concentrated loads. DO NOT use 'sheet rock' screws.

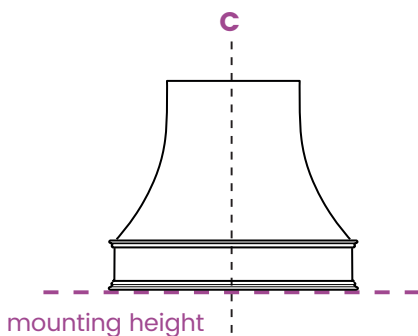


### Construction Adhesive or Silicone

Depending on local municipal code adhesive/silicon may not be required. Construction adhesive (such as Liquid Nails®) may be required per code. If able, silicone is recommended because it can be removed and re-applied if future maintenance is required on the ventilation system or fan blower unit.

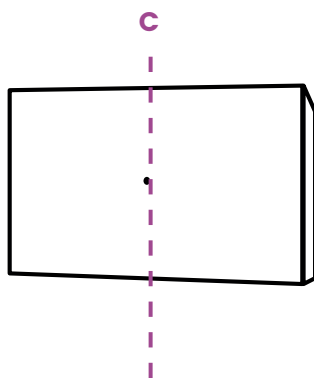
**Note:** The above list only applies to the installation of the wood range hood and does not include tools and materials for electrical and ventilation work. It is the installer's responsibility to have the tools, materials, knowledge and skill to properly install electrical and ventilation. Please refer to, and follow, the individual manufacturer's instructions for installation of the fan/blower unit, electrical connections and ventilation components.

- 1 Identify the center point of the hood and the mounting height. For the mounting height, mark a level line (on the wall) where the bottom of the hood will be. Hood should be  $1/2"$  to  $3/4"$  below ceiling.



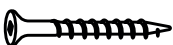
- 2 Locate and mark at least two studs in the wall for mounting.

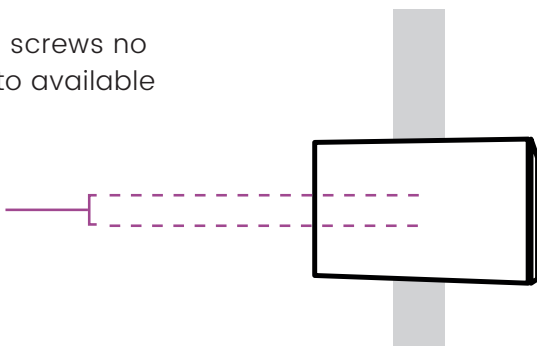
- 3 Identify and mark the center of the mounting cleat on your Hoodsly Hood. You will have to remove this piece from your hood before hanging on the wall.



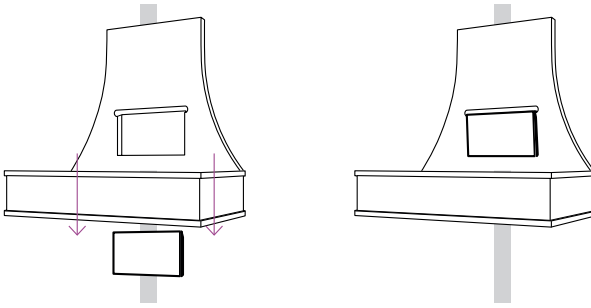
**Note:** Use of mounting cleat is not required.

- 4 Mount cleat using screws no less than  $2\ 1/2"$  into available studs.

X2 

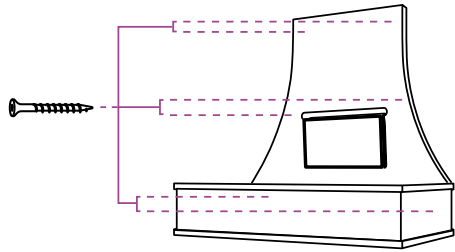


- 5 Hang hood apron onto cleat, adjust the center, and ensure a leveled positioning, see below. Mount cleat on a horizontal line into stud(s).



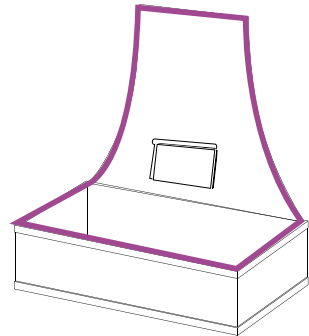
**Note:** We suggest installing ventilation into the hood apron before mounting to the wall.

- 6 Always fasten the apron back using more screws ( $2\ 1/2''+$ ) to two studs.



- 7 Make ventilation connections before moving onto step 8.

- 8 If needed, apply adhesive as shown in bold. Then, install chimney and fasten using 23 gauge nails for positioning as shown on the right.





# Still have *Questions?*

Visit us at **hoodsly.com** to  
schedule a video chat!

*Hoodsly*

7830 Commerce Drive  
Denver, NC 28037